



BZE6-2RQ81



Enclosed Switches Series E6: Cross Roller Plunger (90°; Rotated Plunger) Actuator; 1NC 1NO SPDT Snap Action; 0.5 in - 14NPT conduit

Actual product appearance may vary.

Features

- Side or flange mount
- Momentary or maintained contact
- Grounding screw
- High capacity (22 amp) available
- Temperature range -32 °C to +71 °C [-25 °F to +160 °F]
- Zinc Die-Cast housing NEMA 1
- UL Recognized, file #E12252
- CSA Certified, file #LR41372
- NEMA 1 /IP40
- Pre-leaded or connector termination options

Potential Applications

- Packaging equipment
- Special machinery
- Textile machinery
- Conveyors
- Construction machinery and equipment
- Printing trades machinery
- Overhead cranes and hoists

Description

MICRO SWITCH™ E6 (side mount) and V6 (flange mount) switches are offered with or without actuator seal boots. Both have a combination insulator/seal cemented inside the bottom enclosure. Lead washers are used to seal the mounting holes on side mount switches. All side mount switches are installed with #6 screws, except the BZE6-2RN7 (#8 screws). Removal of the bottom enclosure exposes the terminals for easy wiring.

Product Specifications	
Availability	Global
Operating Force (O.F.)	2,50 N to 3,61 N [9 oz to 13 oz]
Release Force (R.F.)	1,11 N min. [4 oz min.]
Pretravel (P.T.)	0,38 mm [0.015 in] max.
Overtravel (O.T.)	3,55 mm min. [0.140 in min.]
Differential Travel (D.T.)	0,05 mm max. [0.002 in max.]
Product Type	Enclosed Switches
Actuator	Cross Roller Plunger (90° Rotated Plunger)
Circuitry	1NC 1NO SPDT Snap Action
Ampere Rating	15 A Ind./2 A Ind./0.5 A Res./0.25 A Res.
Supply Voltage	125 Vac, 250 Vac, 480 Vac/600 Vac/125 Vdc/250 Vdc
Housing Material	Zinc Die-Cast
Termination Type	0.5 in - 14NPT conduit
Housing Type	Split Housing, Side Mount
Series Name	E6/V6
Sealing	NEMA 1 /IP40
Approvals	UL recognized, CSA certified
CSA File #	LR41372
UL File #	E12252
Operating Temperature Range	-32 °C to 71 °C [-25 °F to 160 °F]
Comment	Without seal boot on plunger, Roller perpendicular to long axis of switch
UNSPSC Code	302119
UNSPSC Commodity	302119 Switches and controls and relays
Sealed	Industrial

MICRO SWITCH
 FREEPORT, ILLINOIS, U.S.A.
 A DIVISION OF HONEYWELL
 FED. MFG. CODE 91920

SWITCH - ENCLOSED

CATALOG LISTING
BZE6-2RQ81

BZE6-2RQ81

M

DRAWING NUMBER

10

8 X 9

ISSUE

8 X 8

PSR

29AUG07

CHECK

ROB

23 SEP 77

TSK

13 APR 84

C

CO55989

JAS

6 NOV 84

D

CO54958

TSK

26 FEB 85

E

CO72618

LJF

11 SEP 92

F

0016894

KRB

10 NOV 05

G

0033014

BS

REPLACES

29AUG07

CHECK

K P K

23 SEP 77

CHECK

K P K

23 SEP 77

CHECK

K P K

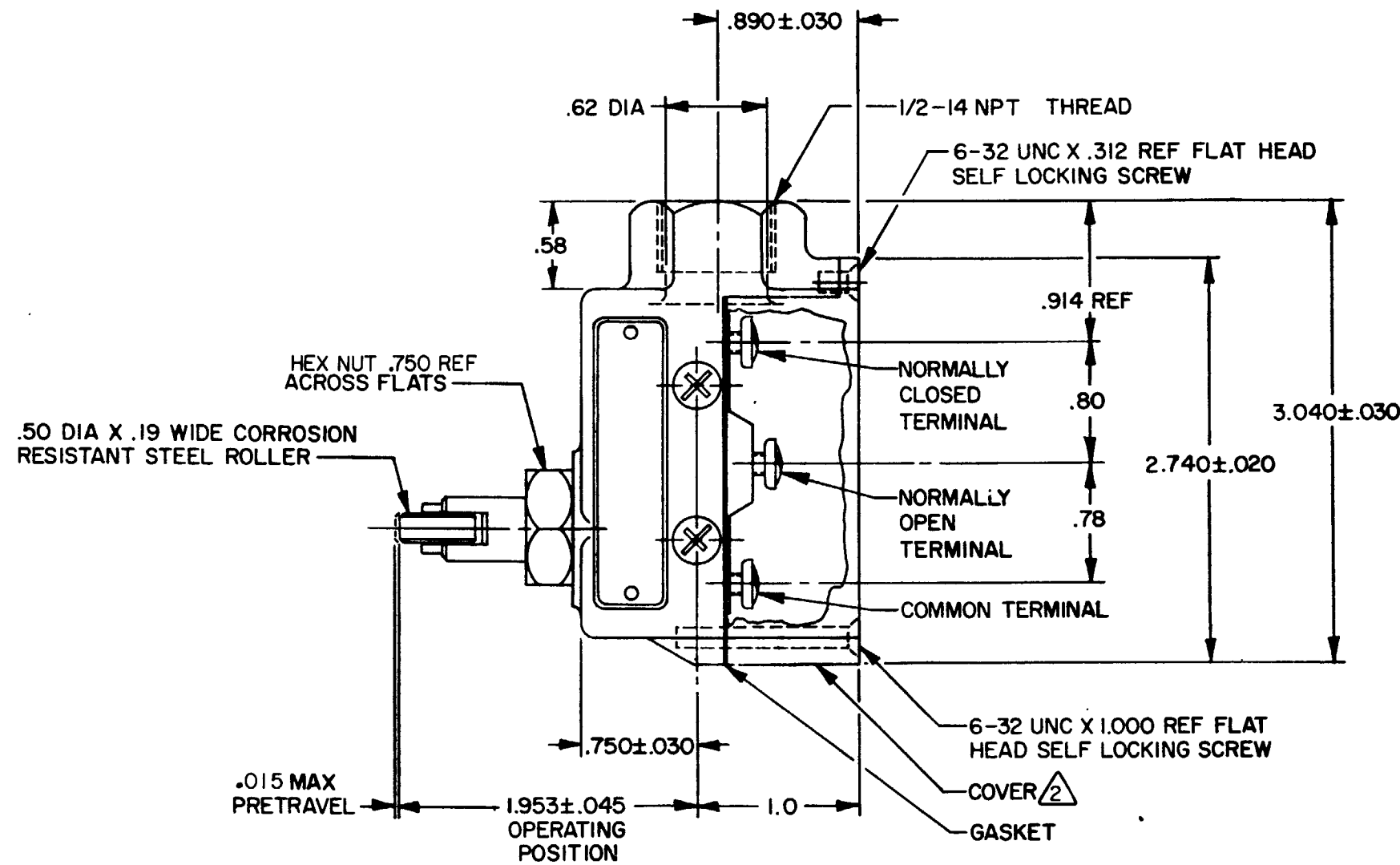
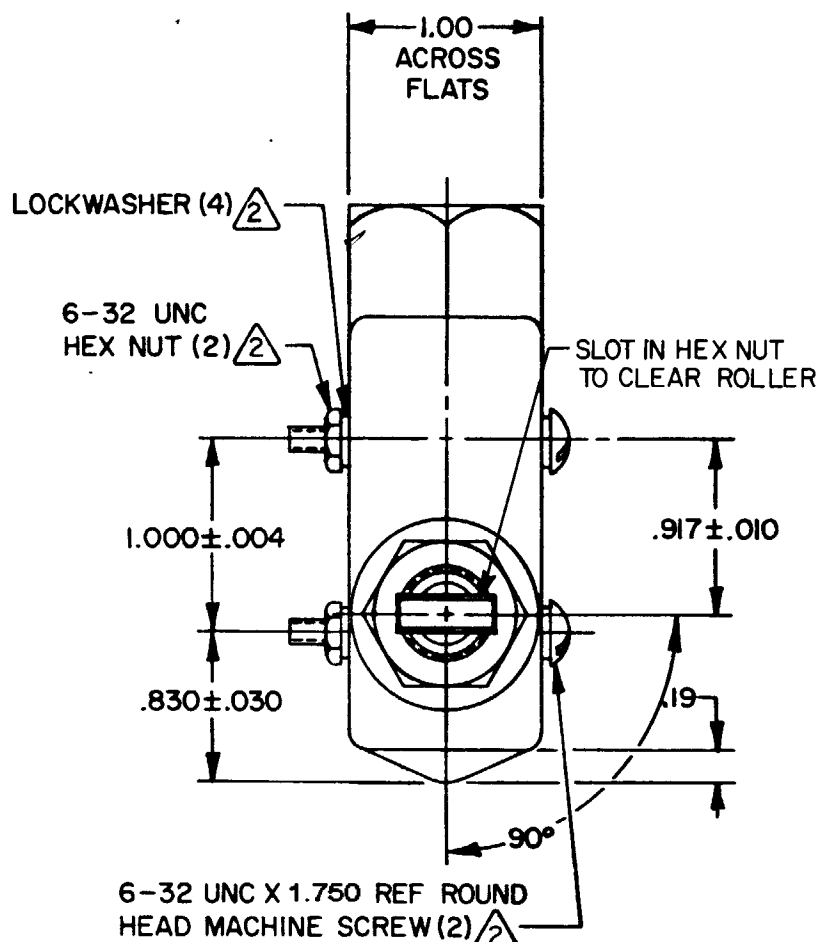
16 SEPT 77

DRAWN

FO-3285 1-A

RASTER

16 SEPT 77



NOTES -

- 1 - 6-32 UNC X .219 REF BINDING HEAD TERMINAL SCREW AND CUPWASHER (3)
- 2 - FURNISHED UNASSEMBLED
- 3 - SEAL RATING: NEMA 1 IP40

THIS DRAWING COVERS A PROPRIETARY ITEM AND IS THE PROPERTY OF MICRO SWITCH, A DIVISION OF HONEYWELL. THIS DRAWING IS NOT TO BE COPIED OR USED WITHOUT THE APPROVAL OF MICRO SWITCH.

CHARACTERISTICS	ELECTRICAL DATA	SCALE FULL
OPERATING FORCE - - - - - 9-13 OZ	CONTACT ARRANGEMENT S P D T	DO NOT SCALE PRINT
RELEASE FORCE - - - - - 4 OZ MIN	15A-125, <u>250</u> OR 480 VAC, 2A-600 VAC 1/8 HP-125 VAC; 1/4 HP- <u>250</u> VAC	UNLESS OTHERWISE NOTED DIMENSIONS ARE IN INCHES
DIFFERENTIAL TRAVEL - - - - - .002 MAX	1/2A-125 VDC; 1/4A-250 VDC	TOLERANCES ARE:
OVERTRAVEL - - - - - .140 MIN	CODE L74	ONE PLACE (.0) ± .030
BASIC SWITCH REPLACEMENT - - - - - BZ-2RQ785	CE 1.5A, 240 Vac	TWO PLACE (.00) ± .015
		THREE PLACE (.000) ± .005
		ANGLES ± .05
		WEIGHT .56 LB